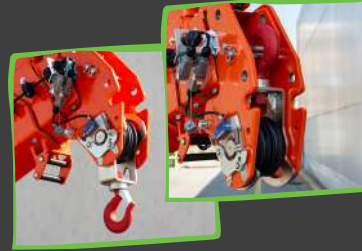


REMOTE CONTROL



- ✓ Intuitive layout
- ✓ Proportional & precise
- ✓ Spare Battery on board
- ✓ Self levelling button
- ✓ Automatic pulley block recovery button

MAIN BOOM HOOK



- ✓ Innovative foldaway hook
- ✓ Immediate switch between hook or winch mode
- ✓ 2800 kg MAX capacity
- ✓ 10,4 m MAX height



SPECIAL FEATURES

- ✓ Jekko Telematic Port (JTP)
- ✓ Anti jerk lifting system

JEKKO TOUCH EXPERIENCE

- ✓ 10" waterproof (IP66) touch screen
- ✓ Innovative & intuitive graphics
- ✓ Live load-chart and stability area
- ✓ Easy USB stick SW update
- ✓ Video tutorial & Crane assistant



AUTOMATIC PULLEY BLOCK RECOVERY



360° ENDLESS ROTATION



UP TO 125 M WINCH



BATTERY + HYDRAULICS = LONG LASTING & ENERGY SAVING

- ✓ Lithium battery pack
- ✓ Jekko Dynamic Pressure Control (JDCP)

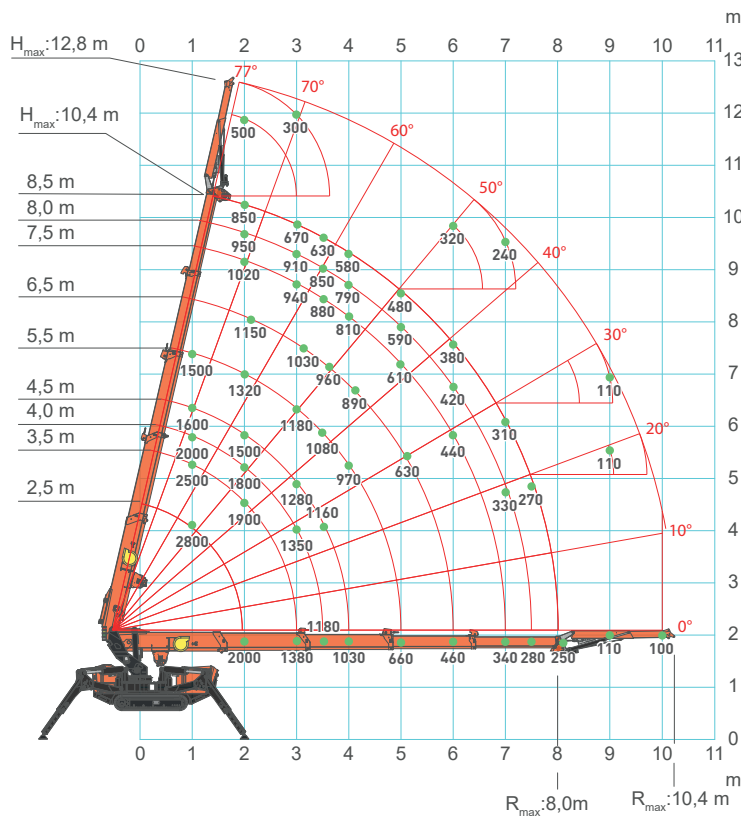


SELF-LEVELLING OUTRIGGERS





LOAD CHART



SCAN FOR MORE TECHNICAL DATA



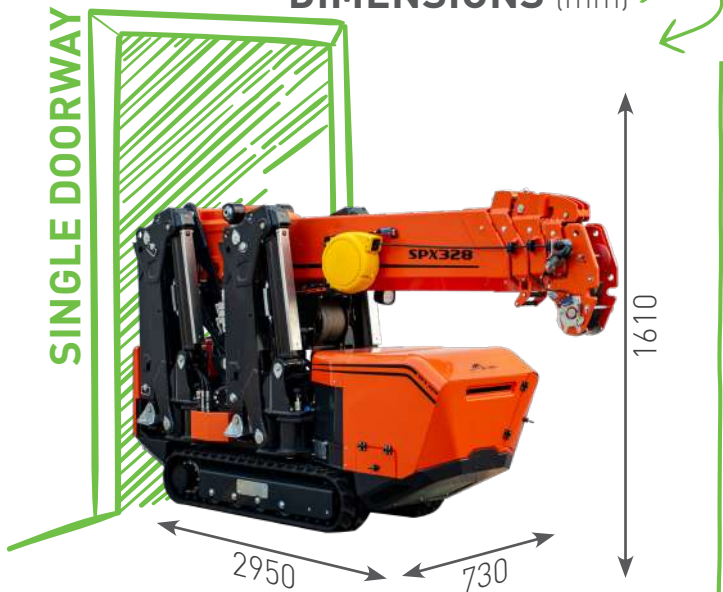
	Kg
SPX328	2300
Winch	52
Electric Jib	150



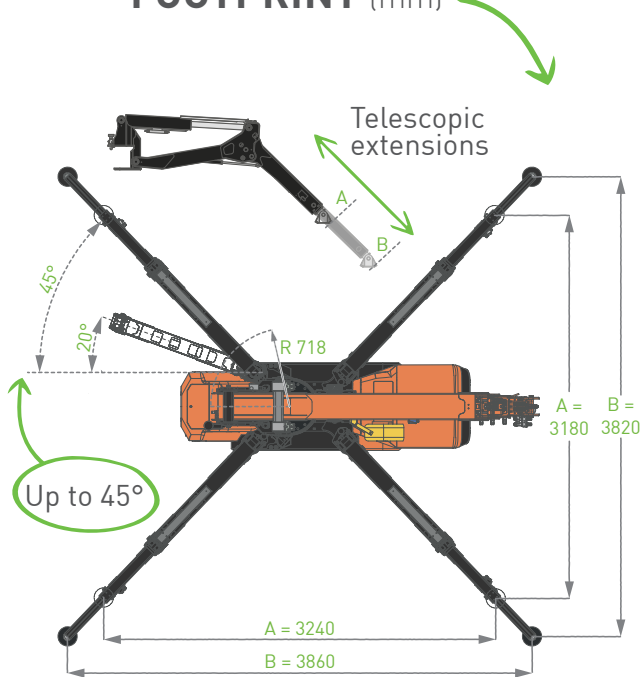
Your Jekko Dealer

Jekko s.r.l. • Via Campardone, 1 - 31014, Colle Umberto (TV) Italy • info@jekko.it • www.jekko-cranes.com
 All specifications and features herein described can be changed without prior advice. All indicated data are indicative only and are not binding as crane performs differently depending on its use.

DIMENSIONS (mm)



FOOTPRINT (mm)



ACCESSORIES

JVM800-R

800 kg glass manipulator

500 kg ELECTRIC JIB

1 ton RUNNER JIB

Stored on board.

